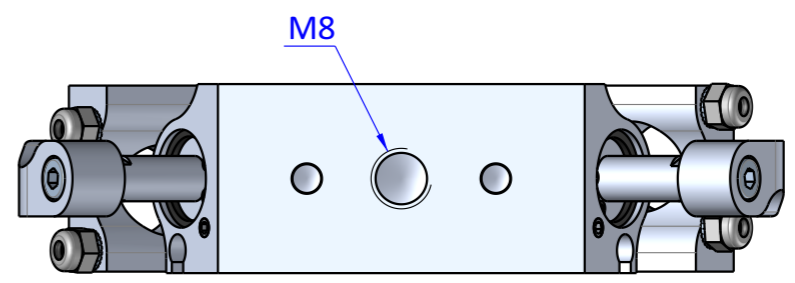
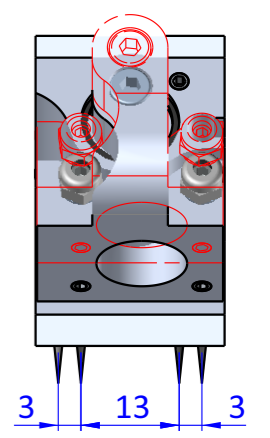
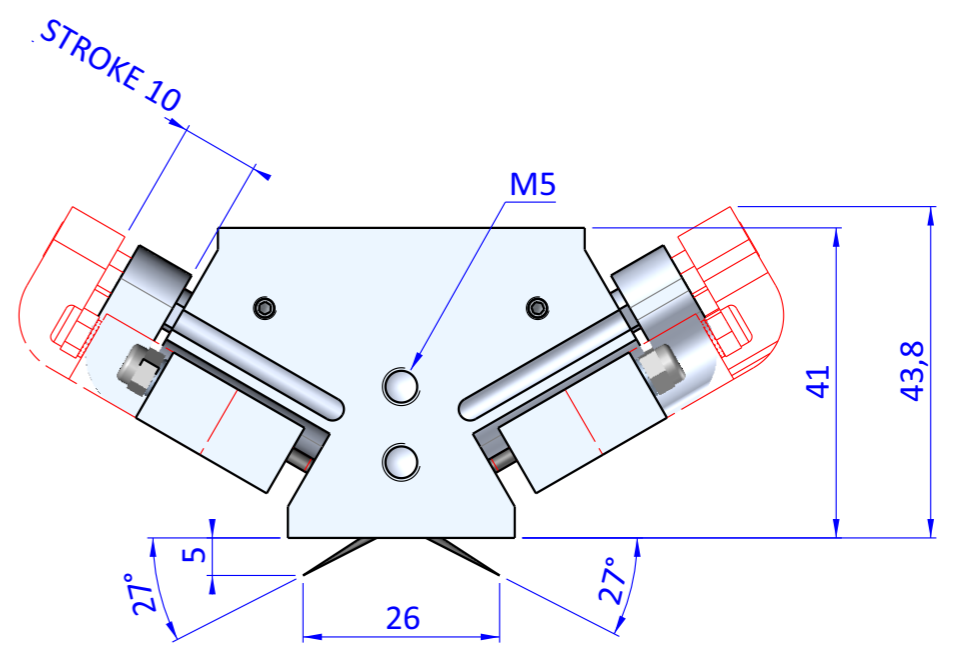
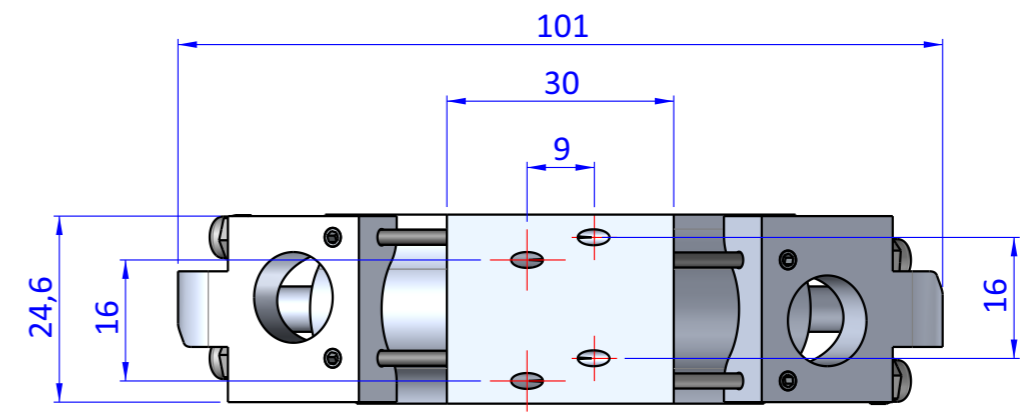
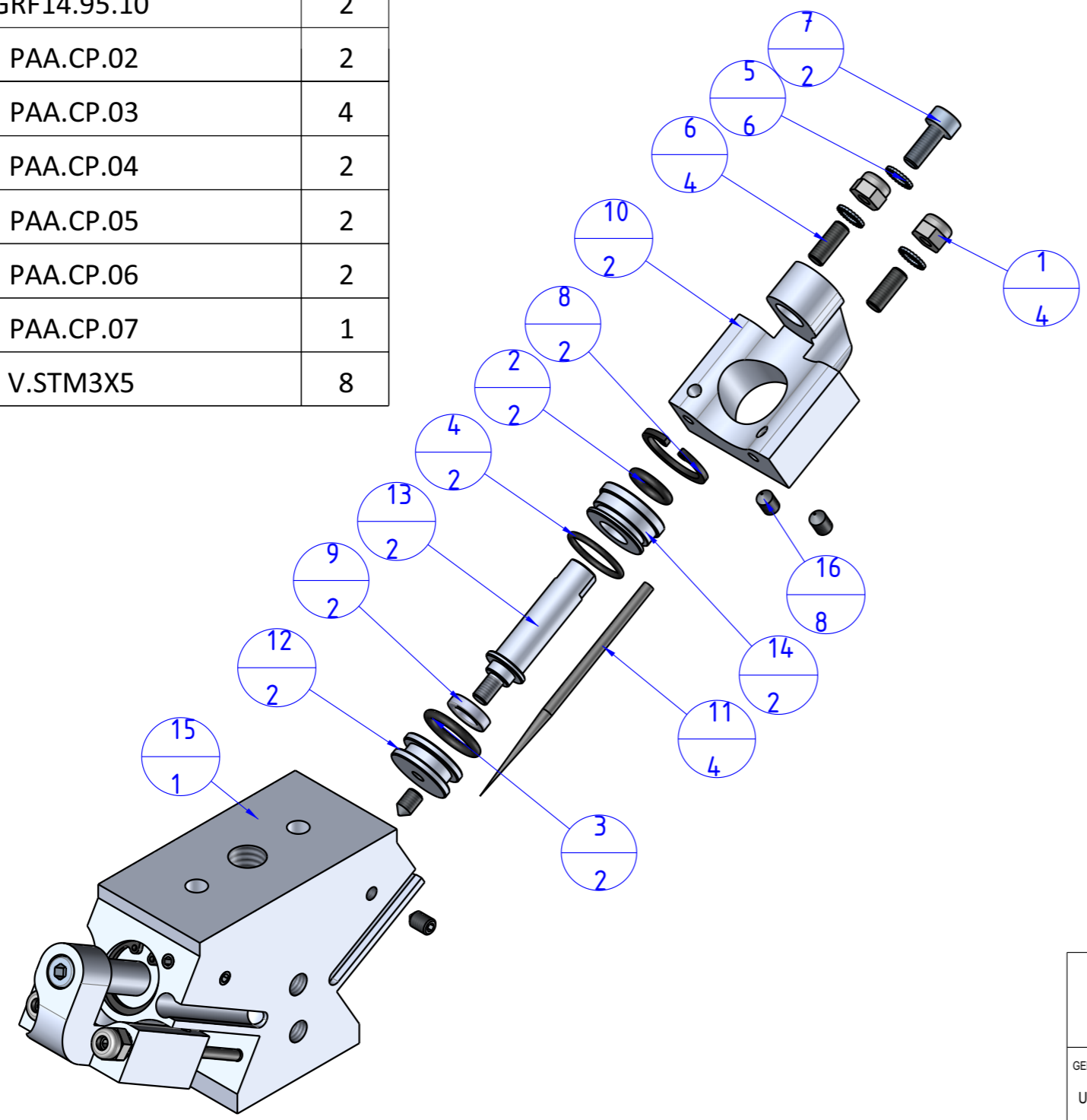



THE PROPERTY OF THE DRAWING IS ESTABLISHED BY LAW. IT IS FORBIDDEN TO PRODUCE OR SHOW IT TO THIRD PART. WITHOUT A WRITTEN AGREEMENT.

Item	Name	Q.ty
1	D.3AUT	4
2	ORM.6x1.5	2
3	ORM.9x1.5	2
4	ORM.10x1	2
5	R.3.SCH	6
6	V.STM3x8	4
7	V.TCE3x8	2
8	A.ELA13.I	2
9	GRF14.95.10	2
10	PAA.CP.02	2
11	PAA.CP.03	4
12	PAA.CP.04	2
13	PAA.CP.05	2
14	PAA.CP.06	2
15	PAA.CP.07	1
16	V.STM3X5	8



Format A3
UNI 936-76

 FPS SERVICES AUTOMATION		DESIGNED FROM		REVIEW
		FPS Automation		A
GENERAL TOLERANCE		DATE	WEIGHT	
UNI - ISO 2768		04/04/2022	0,138kg	
CLASSE f		CODE		
		CA.PAA.SP		CA.PAA.SP